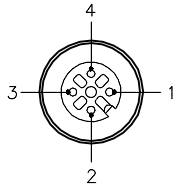
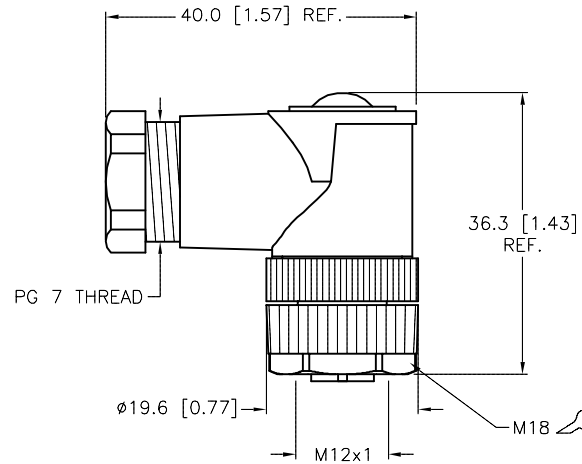


FEMALE END VIEW



SPECIFICATIONS

|                             |                                  |
|-----------------------------|----------------------------------|
| HOUSING MATERIAL/PLATING    | PBT/BLACK                        |
| CONTACT MATERIAL/PLATING    | BRASS/GOLD                       |
| COUPLING NUT MATERIAL/COLOR | NYLON/BLACK                      |
| RATED CURRENT [A]           | 4.0 A                            |
| RATED VOLTAGE [V]           | 250 V                            |
| MAXIMUM WIRE SIZE           | 18 AWG                           |
| CABLE GRIP RANGE            | 4-6mm                            |
| TEMPERATURE RATING          | -40°C to +85°C (-40°F to +185°F) |
| PROTECTION CLASS            | IEC IP67                         |
| TERMINATION TYPE            | SCREW TERMINAL                   |



SOURCE DRAWING - FOR REFERENCE ONLY

|   |   |  |                             |  |              |
|---|---|--|-----------------------------|--|--------------|
| RELATED DOCUMENTS<br>1.<br>2.<br>3.<br>4. | 3RD ANGLE PROJECTION<br>  | THIS DRAWING IS CONFIDENTIAL AND THE PROPERTY OF TURCK INC. USE OF THIS DOCUMENT WITHOUT WRITTEN PERMISSION IS PROHIBITED. |                             | 3000 CAMPUS DRIVE<br>MINNEAPOLIS, MN 55441<br>1-800-544-7769<br>(763) 553-7300<br>(763) 553-0708 fax<br>www.turck.us |              |
|   | MATERIAL<br><br>SEE SPECIFICATIONS  | DRFT JMS<br>APVD   | DATE 10/8/98<br>SCALE 1=1.0 | DESCRIPTION<br><br>B 8241-0  |              |
| FINISH<br><br>SEE SPECIFICATIONS          | ALL DIMENSIONS DISPLAYED ON THIS DRAWING ARE FOR REFERENCE ONLY<br><br>CONTACT TURCK FOR MORE INFORMATION | UNIT OF MEASUREMENT<br><b>MILLIMETER [ INCH ]</b>  |                             | IDENTIFICATION NO.<br><br>U6555  | REV<br><br>D |
| D UPDATE COUPLING NUT                     | RDS 08/07/18  | 66283  | DO NOT SCALE THIS DRAWING   |  | FILE: U6555  |
| REV DESCRIPTION                           | BY DATE   | ECO NO.  | SHEET 1 OF 1                |  |              |